

Halo™ Fogger For Powerful Supplemental Surface Disinfection

How the Halo Works:

Step 1: Fill

Fill reservoir with Sanosil S010 Disinfectant.

Step 2: Set Time

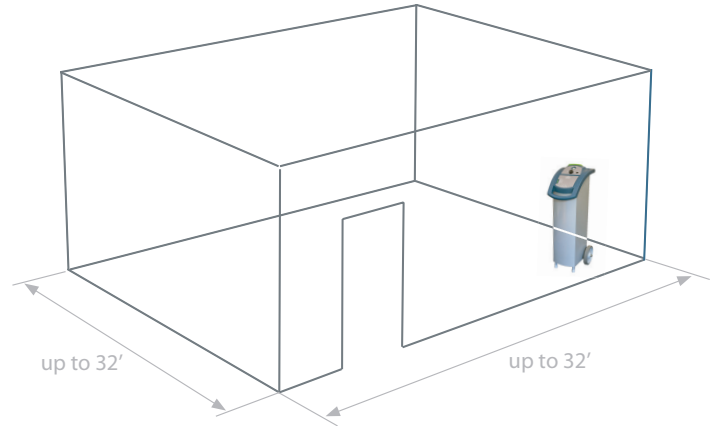
Turn Timer Dial to the established fogging time.

Step 3: Press START

Press START to begin the disinfecting process.

Step 4: Leave room

Leave room. That's it!



The Sanosil Halo Fogger is an amazing new delivery technology designed to supplement infection prevention measures, like manual cleaning, with unique and powerful surface disinfection.

At the push of a button, the Halo dispenses a dry mist of atomized Sanosil S010 into the air. The droplets fill the room and are drawn into every nook, crevice and corner, reaching surfaces that regular cleaning and disinfecting can't. The Halo assures a homogenous distribution of disinfectant on all surfaces in the room, reducing the risk of cross-contamination of infectious diseases associated with using a rag, wipe or sponge.

Use the Halo in Daycare Facilities, Gyms and Fitness Centers, Assisted Care Facilities, Workplaces, Schools & Universities, Hospitals; *anywhere* there is a potential for being exposed to germs that can cause illness.

Advantages:

- Reduces the risk of cross-contamination associated with using a rag, wipe or sponge
- **Costs less than \$4.00 to treat 1,000 cubic feet**
- Treat up to 10,000 cubic feet at a time with one unit
- Kills 99.99% of bacteria, viruses, mold and fungi found on surfaces *including MRSA, H1N1, Rhinovirus*
- Easy-to-use: just fill, set time, press start and leave the room
- Sanosil S010 Disinfectant is EPA registered, odorless, colorless
- Protect yourself and your employees beyond a flu shot, all year long
- Promote your business to be "SANO-SEALED" to attract and retain customers

Halo Fogger Specifications:

- Unit size: 13.25" wide x 18.5" deep x 40" tall
- Unit weight: 50 lbs - dry
- Plugs into any standard 110V wall outlet
- On-board reservoir holds up to two gallons of Sanosil disinfectant, enough to treat up to 10,000 cubic feet (1,000 square feet with 10' ceilings)